

Analog output module

AO

M1-32B

8 analog outputs (± 10 VDC)

- ▶ 16-bit analog converter
- ▶ Each channel individually optically isolated

General specifications

Outputs per module	8
Output type	Voltage, ± 10 VDC (single ended)
Analog ground type	Isolated from CPU electronics
Connector	Removable
Connection type	Screw terminal
Terminal wire size	14 – 22 AWG
Test point	All connections
Module size	1 controller bay

Bus power required (5 VDC)	.26 mA
Isolation rating	500 VDC
Operating temperature	
Horizontal installation ¹	0 – 50°C
Vertical installation ¹	0 – 45°C
Storage temperature	-25 – 85°C
Humidity	5 – 95% non-condensing
5100 equivalent part number	E

1. Refer to the applicable controller datasheet for proper mounting instructions.

Performance specifications

Parameter	Value
Output range	-10 V to 10 V
Output resolution	16-bit
Full range calibration error ^{1,2}	0.025% of range
Offset calibration error at 0 V ^{1,2}	0.025% of range
Linearity error (full range) ^{1,2}	0.073% of range
Output slew rate	10V/ μ sec
Max output current	5 mA

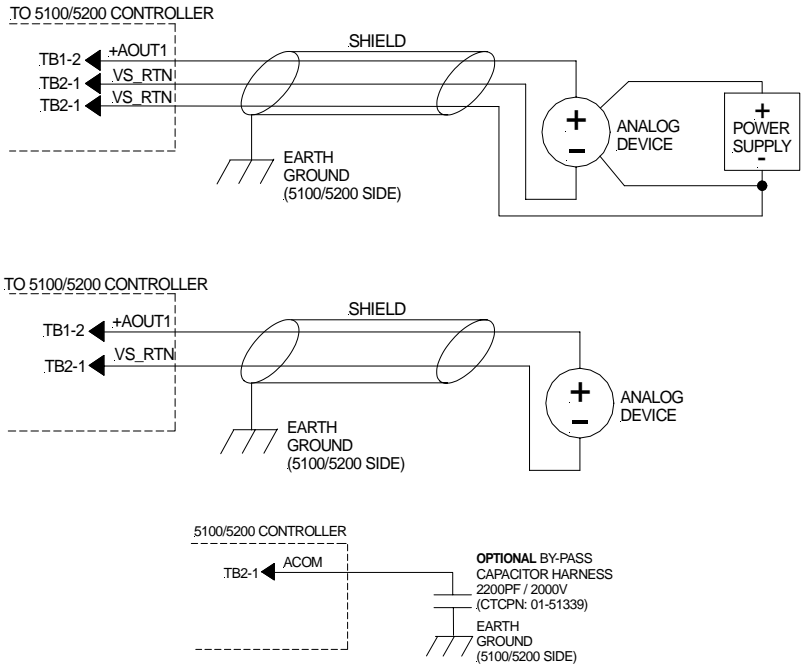
1. Errors are at 25°C.
2. Errors are double across full ambient temperature range of 0 – 50°C.

Analog output module

AO

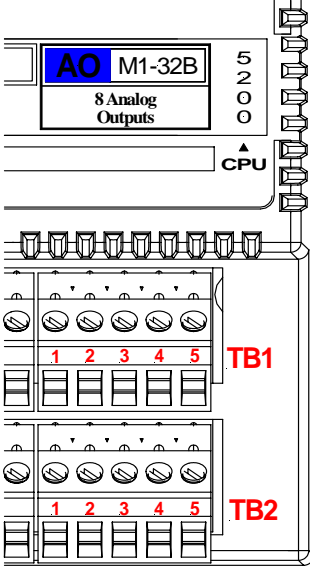
M1-32B

Typical Application



	5100	5200
Minimum hardware revision	A	A
Minimum firmware revision	1.02	1.02
Minimum operating system revision	4.04.15	5.06
Document number: 950-513204-0005		

Connections



I/O Terminations

TB1-1	VS_OUT
TB1-2	+Aout #1
TB1-3	+Aout #3
TB1-4	+Aout #5
TB1-5	+Aout #7
TB2-1	VS_RTN / ACOM
TB2-2	+Aout #2
TB2-3	+Aout #4
TB2-4	+Aout #6
TB2-5	+Aout #8

Notes

- Shield grounds must be terminated on the controller side of the cable.
- When an analog device is powered via an external power source, it may be necessary to tie the ground of this power source to the module's analog common (ACOM) to limit common mode voltages.
- For register and programming information, refer to the appropriate controller Applications Guide.
- The information and illustrations contained herein are the property of Control Technology Corporation and are subject to change without notice. Data based on VS = 24VDC @ 25°C unless otherwise noted. For additional information and/or updates visit www.ctc-control.com.
- VS refers to the voltage supply of the controller.