

Digital output module

DO

M3-15A

DO

M3-15B

M3-15A: 32 sourcing outputs (+VS VDC)

M3-15B: 16 sourcing inputs (+VS VDC)

- ▶ Open emitter PNP to the controller's voltage supply
- ▶ High current: 375 mA per output/3A per module
- ▶ Individual LED status indicator for each output
- ▶ Optically isolated

General specifications

Outputs per module:	
M3-15A	32
M3-15B	16
Output type	Sourcing (PNP open collector)
Connection	Removable terminal block
Connection type	Tension clamp
Terminal block part number	069-621010
Terminal wire size (UL 1059)	18 - 22 AWG
Test point	All connections
Status indicator	One LED per channel
Module size	1 rack slot (0.75"/19 mm)
Isolation rating	500 VDC
Operating temperature	
Horizontal installation	0 - 50°C
Vertical installation	0 - 45°C
Storage temperature	-25 - 85°C
Humidity	5 - 95% non-condensing



Actual size

Minimum hardware revision	A
Minimum firmware revision	1.02
Minimum operating system revision	5.00.90
Documentation number: 950-531501-000	

Digital output module	DO	M3-15A
	DO	M3-15B

Performance specifications

Parameter	Value
Nominal voltage (VN)	24 VDC
Max OFF voltage	Open emitter
Max ON voltage @:	
50 mA	VS – 0.7V
375 mA	VS – 1.4V
Max channel current	375 mA
Max module current	3 ADC
Max controller current	8 ADC
Max leak current/channel	100 μ ADC

1. In the OFF state, the outputs are pulled internally low to VDC RTN via a 10K Ω series resistor with an LED.

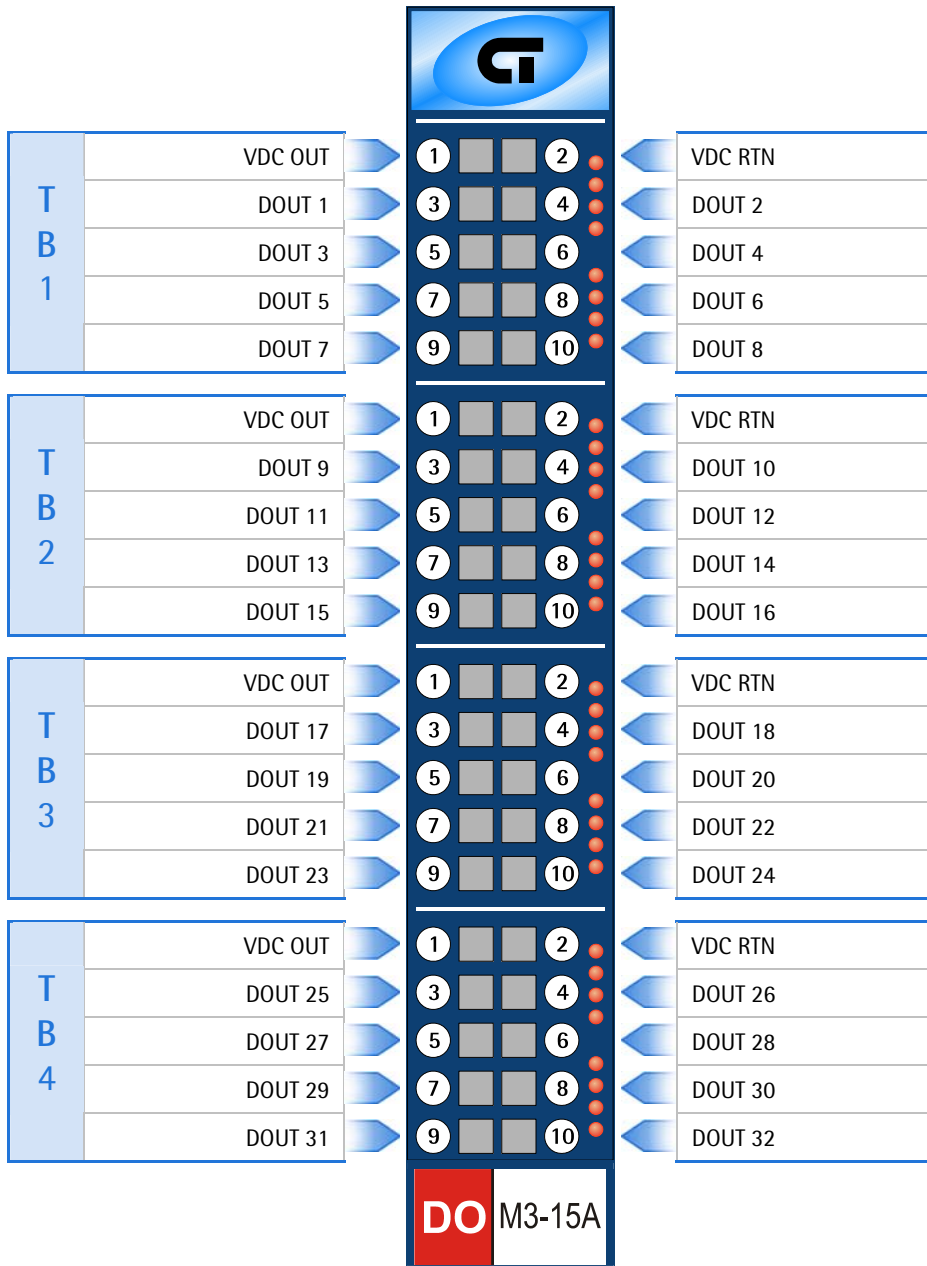
Digital output module

DO	M3-15A
DO	M3-15B

M3-15A: 32 sourcing outputs (+VS VDC)

M3-15B: 16 sourcing inputs (+VS VDC)

Terminal block connections



LED#	Indication
1	D01
2	D02
3	D03
4	D04
5	D05
6	D06
7	D07
8	D08

9	D09
10	D010
11	D011
12	D012
13	D013
14	D014
15	D015
16	D016

17	D017
18	D018
19	D019
20	D020
21	D021
22	D022
23	D023
24	D024

25	D025
26	D026
27	D027
28	D028
29	D029
30	D030
31	D031
32	D032

Note

1. TB3 and TB4 not available on M3-15B.

Digital output module

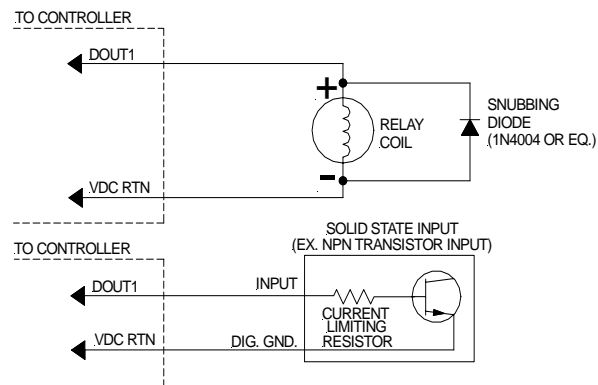
DO

M3-15A

DO

M3-15B

Application information



Notes

1. Observe proper current limiting with transistor loads.
2. Use high-speed diode or equivalent to limit inductive load kicks.
3. When a digital device is powered via an external power source, it may be necessary to tie the ground of this power source to the controller's voltage supply ground (VDC RTN).
4. For register and programming information, refer to the appropriate controller Applications Guide.
5. The information and illustrations contained herein are the property of Control Technology Corporation and are subject to change without notice. Data based on $V_S = 24 \text{ VDC @ } 25^\circ\text{C}$ unless otherwise noted. For additional information and/or updates, visit www.ctc-control.com. Copyright © 2007 Control Technology Corporation. All Rights Reserved.