

Analog input module

AI

M3-31C

AI

M3-31D

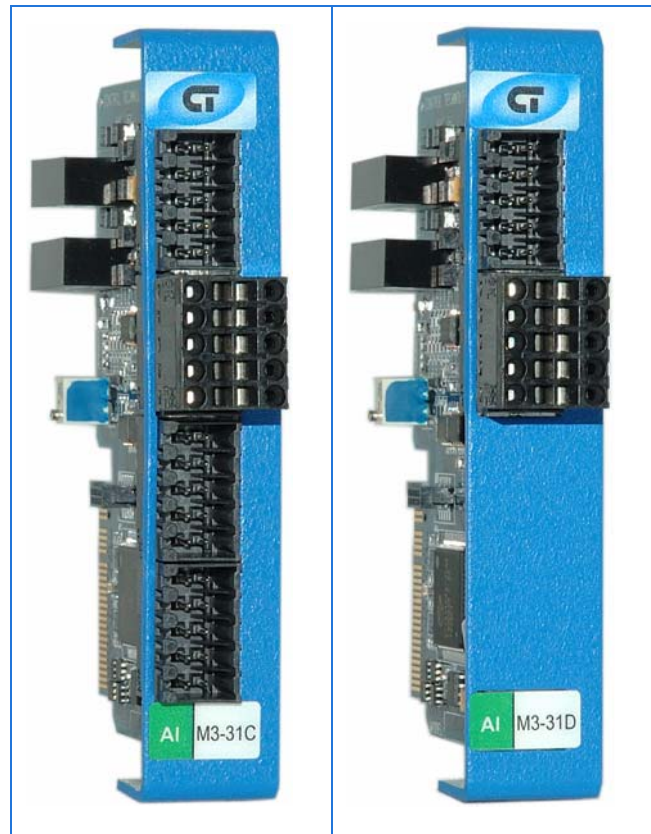
M3-31C: 16 analog inputs (4 – 20 mA)

M3-31D: 8 analog inputs (4 – 20 mA)

- ▶ 16-bit analog converter
- ▶ Optically and electrically isolated
 - Each channel has an electrically isolated analog ground
 - Each channel is individually optically isolated
- ▶ Each channel has individually configurable digital filtering

General specifications

Inputs per module:	
M3-31C	16
M3-31D	8
Input type	Current, 4 – 20 mA
Connection	Removable terminal block
Connection type	Tension clamp
Terminal block part number	069-621010
Terminal wire size (UL 1059)	18 – 22 AWG
Test point	All connections
Module size	1 rack slot (0.75"/19 mm)
Bus power required (5 VDC)	0.2 mA
Isolation rating	500 VDC
Operating temperature	
Horizontal installation	0 – 50°C
Vertical installation	0 – 45°C
Storage temperature	-25 – 85°C
Humidity	5 – 95% non-condensing



Actual size

Minimum hardware revision	0, A
Minimum firmware revision	1.02
Minimum operating system revision	5.00.90
Documentation number: 950-533103-001	

Analog input module	AI	M3-31C
	AI	M3-31D

Performance specifications

Parameter	Value
Input range	4 – 20 mA
Input resolution	16-bit
Input resistance: Ain to ACOM	499 Ω
Max input voltage	± 40 VDC
Full range calibration error ^{1,2}	0.013% of range
Offset calibration error at 0 V ^{1,2}	0.013% of range
Linearity error (full range) ^{1,2}	0.037% of range
Digital input filter size (settable)	1 – 255 samples
Update rate (all channels):	
M3-31C	625 Hz
M3-31D	1250 Hz

1. Errors are at 25°C.
2. Errors are double across full ambient temperature range of 0 – 50°C.

Analog input module

AI

M3-31C

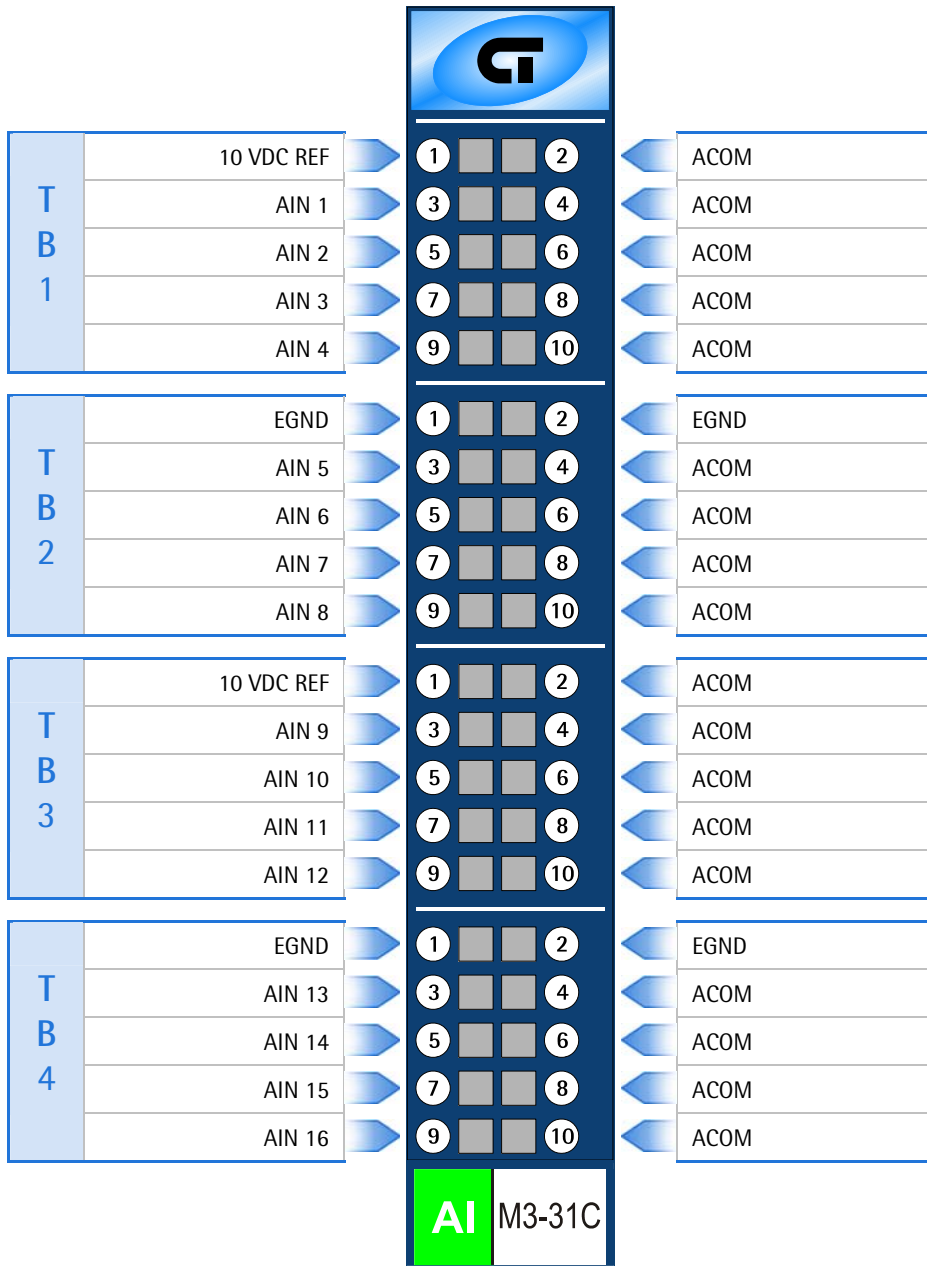
AI

M3-31D

M3-31C: 16 analog inputs (4 – 20 mA)

M3-31D: 8 analog inputs (4 – 20 mA)

Terminal block connections



Notes

1. TB3 and TB4 not available on M3-31D.
2. Max total current for all 10 VDC REF connections is 25 mA per module.

Analog input module

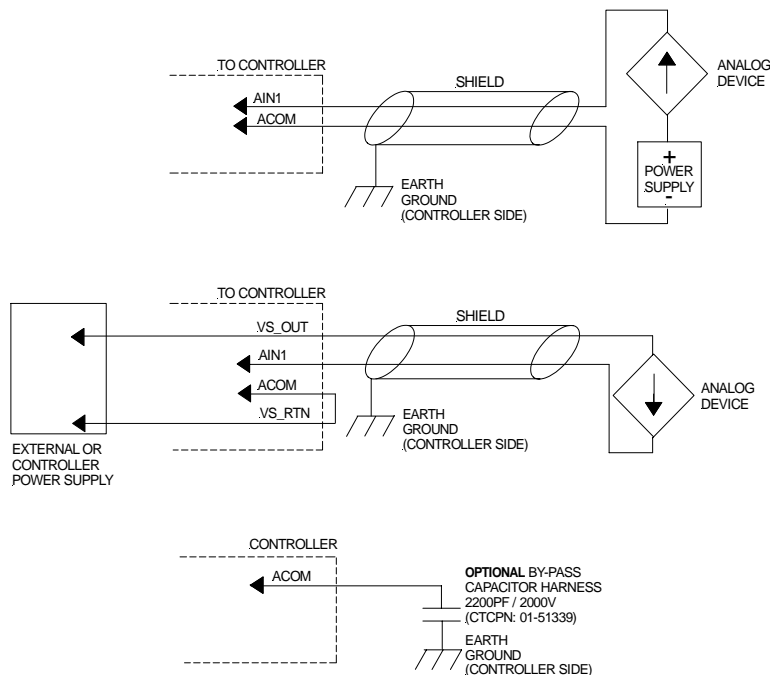
AI

M3-31C

AI

M3-31D

Application Information



Notes

1. Shield grounds must be terminated on the controller side of the cable.
2. When an analog device is powered via an external power source, it may be necessary to tie the ground of this power source to the module's analog common (ACOM) to limit common mode voltages.
3. For register and programming information, refer to the appropriate controller Applications Guide.
4. The information and illustrations contained herein are the property of Control Technology Corporation and are subject to change without notice. Data based on VS = 24 VDC @ 25°C unless otherwise noted. For additional information and/or updates, visit www.ctc-control.com. Copyright © 2007 Control Technology Corporation. All Rights Reserved.